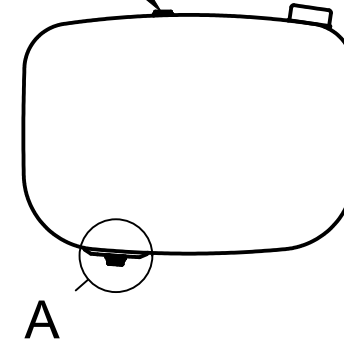
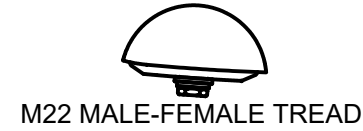


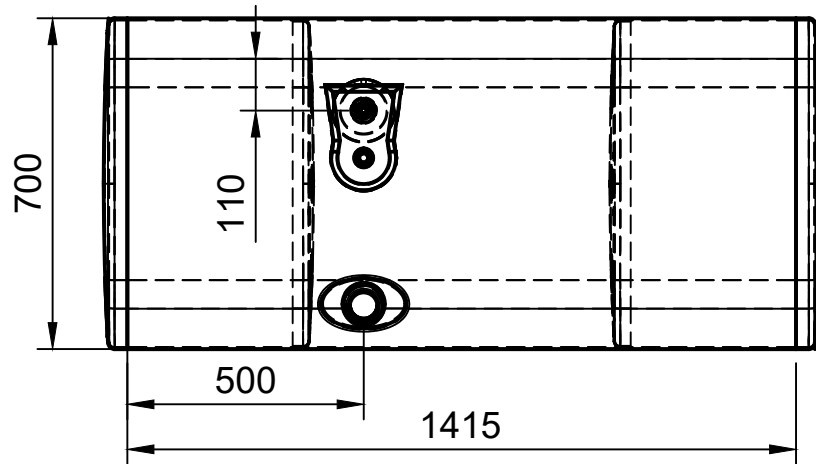
1/2" FEMALE TREAD FOR AIRING



A (1:8)



M22 MALE-FEMALE TREAD



**SCANIA OEM:**  
**STEEL GALVANIZED: 1424272-1361699**



KOCAELI METAL DEPO  
 +902623711442-46  
 gokhan.tunali@kmd.com.tr  
 www.kmd.com.tr

TITLE:  
 505X700X1515 SCANIA FUEL TANK

PRODUCT CODE: 5171151501	DATE:	LITER: 450 L
-----------------------------	-------	-----------------

DRAWN :	MATERIAL:		
APPROVED:	WEIGHT :	DWG NO:	
CUSTOMER:	SCALE : 1:16	SHEET 1 OF 1	A4